

FLEXSION MR-16 MH FLEXIBLE TRACK



Spot
530.700
20W MR-16 metal halide
GX10 TAL base



Spot with metal cross baffle
530.720
20W MR-16 metal halide
GX10 TAL base

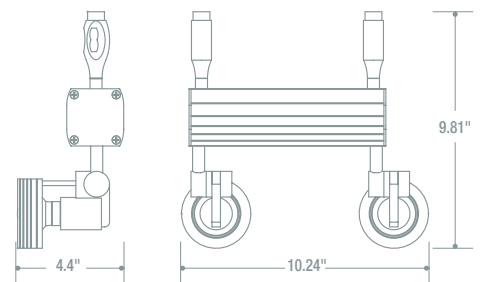
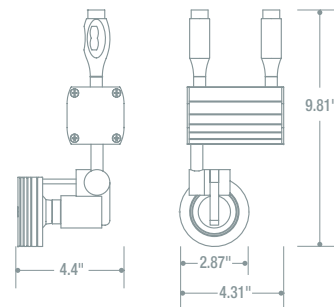


Twin spot
532.100
20W MR-16 metal halide
GX10 TAL base



Twin spot with metal cross baffle
532.120
20W MR-16 metal halide
GX10 TAL base

New 20 watt MR-16 metal halide track fixtures offer a highly efficient light source with a choice of beam spreads, accurate color rendering and consistent color performance throughout its life. These miniature track fixtures, with integral electronic ballasts, provide the quality illumination you need in a contemporary style fixture. Although similar in size to tungsten halogen, FleXsion provides energy saving options that designers and owners are seeking.



Lamps

MR-16 Metal Halide - GX10 TAL base
GE™ Constant Color® CMH MR-16
3000K
9,000 hours
1,000 lumens
80+ CRI



200094	CMH20 MR16/830/SP (12°)
200097	CMH20 MR16/830/FL (25°)
200098	CMH20 MR16/830/WFL (40°)

Track System



520.004	4' track with end caps
520.008	8' track with end caps
520.012	12' track with end caps

MOUNTING SUPPORTS



520.100	Track mounting clip for grid ceilings
---------	---------------------------------------



520.101	3/4" ceiling connector
520.102	4" ceiling connector
520.103	7 1/2"-11 1/2" telescopic ceiling connector

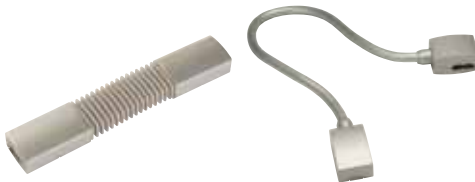


520.104	Adjustable connector for slanted ceiling 7" - 10 1/4"
520.105	Adjustable wall connector 5 3/4" - 9"
520.106	Cable mount ceiling connector 124" max.

TRACK CONNECTORS



520.201	Mechanical track connector
520.202	Electrical track connector



520.203	Flexible connector
520.204	Track to track connector

TRACK FEEDS

NOTE:

all track feeds are available with current limiting, resettable power trip breaker. To specify, see below.



520.301	Center cable outlet feed with 20" leads
520.305	Center cable outlet feed with 120" leads



520.302	Adjustable power stem 7 3/8" - 11 3/8"
---------	--



520.303	Power stem with canopy 4"
---------	---------------------------



520.304	Side cable outlet feed with 20" leads
---------	---------------------------------------

CURRENT LIMITING OPTION

For power feeds that include a resettable power trip breaker, specify the appropriate feed catalog number and add one of the following suffixes:

- 1 1 amp current limiting breaker 120 watts max
- 3 2.5 amp current limiting breaker 300 watts max
- 5 5 amp current limiting breaker 600 watts max
- 8 7.5 amp current limiting breaker 900 watts max

Example: 520.305-5 center cable outlet feed with 120" leads and 5 amp power trip breaker



520.400	Track bending machine
---------	-----------------------

• Spot track fixture accepts one lens or filter media. Consult factory for available media.
• Cross baffle track fixture does not accept additional media.

Track connectors recommended maximum spacing shall not exceed 2' 6" on center. For best results, equally space connectors.

Ardee Lighting is a Philips group brand

639 Washburn Switch Road
 P.O. Box 1769
 Shelby, NC 28151
 Phone: (888) 442-7333
 Fax: (800) 275-1544 / (704) 484-0818
 www.ardeelighting.com
 ardee@jjshelby.com

© 2008 Philips Group.

All rights reserved. Certain products illustrated in this catalog may be protected by applicable patents and patents pending. Ardee Lighting will aggressively defend all of its intellectual property. We reserve the right to change details of design, materials and finishes.

A.I.A. Division 16
 Sheet Flexion MH 2/08

Some luminaires use fluorescent or high intensity discharge (HID) lamps that contain small amounts of mercury. Such lamps are labeled "Contains Mercury" and/or with the symbol "Hg." Lamps that contain mercury must be disposed of in accordance with local requirements. Information regarding lamp recycling and disposal can be found at www.lamprecycle.org.

Printed in the U.S.A.