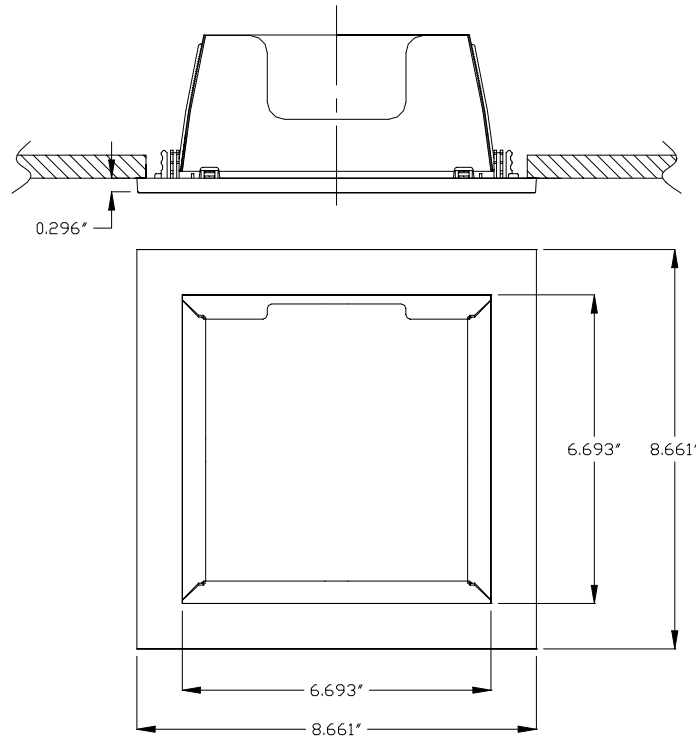


ModuleX CF

7S SERIES - SQUARE COMPACT FLUORESCENT RECESSED DOWNLIGHT TRIM W/ FLAT STYLE FLANGE



SPECIFICATIONS:

1. **Frame:** Flat Style Trim Flange. Molded of UL94-HB plastic. Held to Fixture Housing by (4) 0.90" (23mm) retaining fingers inserted into housing clips. Supports optional glass and reflector.
2. **Optional Glass:** 0.118" (3mm) thick glass lens. Frosted glass is acid-etched providing diffused light. Clear safety glass provides protection for lamps as well as reducing dust and dirt getting into fixture.
3. **Reflector:** Made of 0.039" (1mm) specular Aluminum.
4. **Available Finishes:** Matte White or Metallic Silver
5. **Compliances:** UL Listed.

Catalog Number:	Description:	Finish:
7S.00 IWH	7S Series – No Glass / Flat Trim	Matte White
7S.00 IMS	7S Series – No Glass / Flat Trim	Metallic Silver
7S.01 IWH	7S Series – Frosted Glass / Flat Trim	Matte White
7S.01 IMS	7S Series – Frosted Glass / Flat Trim	Metallic Silver
7S.02 IWH	7S Series – Clear Glass / Flat Trim	Matte White
7S.02 IMS	7S Series – Clear Glass / Flat Trim	Metallic Silver

ARDEE LIGHTING INC.

A Subsidiary of JJI Lighting Group, Inc.
PO Box 1769, 639 Washburn Switch Rd.
Shelby, NC 28151
(704) 482-2811 | Fax (800) 275-1544
3/10/2005

www.ardeelighting.com

E-mail: ardee@jjishelby.com