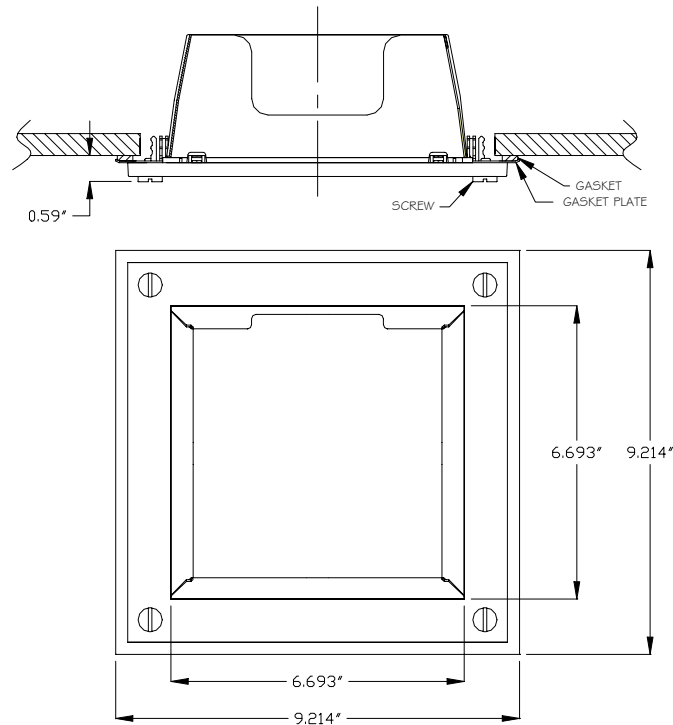


## ModuleX CF

### 7S SERIES - SQUARE COMPACT FLUORESCENT RECESSED DOWNLIGHT TRIM FOR WET LOCATIONS



#### SPECIFICATIONS:

1. **Frame:** Flat Style Trim Flange. Molded of UL94-HB plastic. Supports the Glass Lens, Reflector, Gasket mounting plate and Gasket. Retained by (4) M4x1.6mm stainless steel machine screws threaded into die cast housing.
2. **Glass:** 0.118"(3mm) thick acid-etched glass lens provides diffused light. Retained by silicone adhesive to Trim Ring.
3. **Gasket:** 0.118"(3mm) thick closed cell neoprene sponge. Retained by adhesive to Gasket Mounting plate.
4. **Gasket Mounting Plate:** Made of (.036") 20 ga. steel. Retained by silicone to the trim. Painted to match frame color.
5. **Reflector:** Made of 0.039"(1 mm) specular Aluminum.
6. **Available Finishes:** Matte White or Metallic Silver
7. **Compliances:** UL Listed.

Catalog Number:	Finish:
7S.031WH	Matte White
7S.031MS	Metallic Silver

#### ARDEE LIGHTING INC.

A Subsidiary of JJI Lighting Group, Inc.  
PO Box 1769, 639 Washburn Switch Rd.  
Shelby, NC 28151  
(704) 482-2811 | Fax (800) 275-1544

[www.ardeelighting.com](http://www.ardeelighting.com)

E-mail: [ardee@jjishelby.com](mailto:ardee@jjishelby.com)

022177  
3/15/2005