

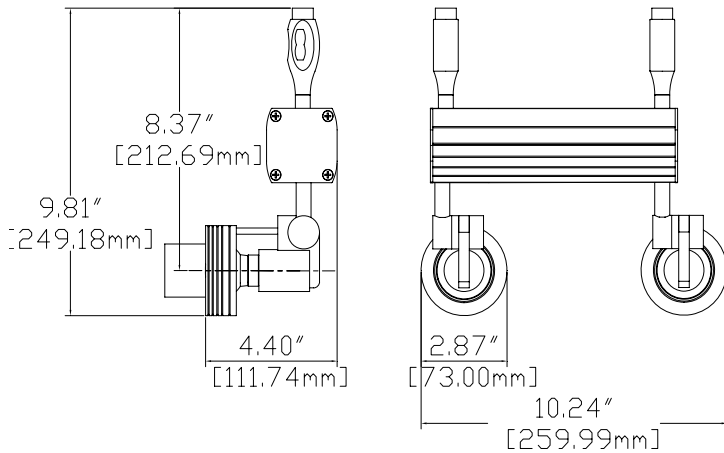


Specifications:

20W, MR-16 Metal Halide Twin Spot with metal baffle and integral ballast for 120 volt flexible track system.

Features

1. **Threaded Coupling Cap:** made of die cast aluminum; locks coupler onto track.
2. **Hinged Extrusion Coupler:** made of die cast aluminum; connects fixture to track.
3. **Swivel:** 358 Degree rotation for horizontal adjustment.
4. **Locking Screw:** 3mm set screw; used to lock vertically in place; up to 90 degrees of adjustment.
5. **Die Cast Socket Housing:** includes porcelain socket, 4KV rated G x 10TAL base, high temperature wire.
6. **Post:** made from aluminum d-bar; used to lock lamp cowl in place; tightens down with 3mm set screw.
7. **Lamp Cowl:** made of die cast aluminum; 2-7/8" diameter. Allows the use of one (1) media accessory.
8. **Metal Baffle:** made of die-cast aluminum, 1-3/4" diameter rests inside lamp cowl; contains integral cross-blade louver. Allows the use of one (1) media accessory.
9. **Ballast Box:** made of extruded aluminum; 2-3/8" x 2-3/8" x 9-3/4".
10. **Ballast:** (2)20w electronic metal halide ballast. Input voltage....120V 60Hz, input current...0.35A. Power factor...0.99; *FOR USE WITH 20W CERAMIC METAL HALIDE LAMPS ONLY.
11. **Compliances:** UL/C listed.



Ordering Information

Part Number	Lamp	Trim Style	Trim Finish
532.120	20W MR-16 Metal Halide	Twin Spot w/ metal cross baffle	Satin Aluminum

Use with FleXsion Track System.
Lamps Not Included

Ardee Lighting reserves the right to change product specifications without prior notification.

Ardee Lighting		
5/27/2008	PO Box 1769 · 639 Washburn Switch Rd · Shelby · NC 28151 T 704. 482.2811 F 800.275.1544 E ardee@jjishelby.com www.ardeelighting.com	222279