

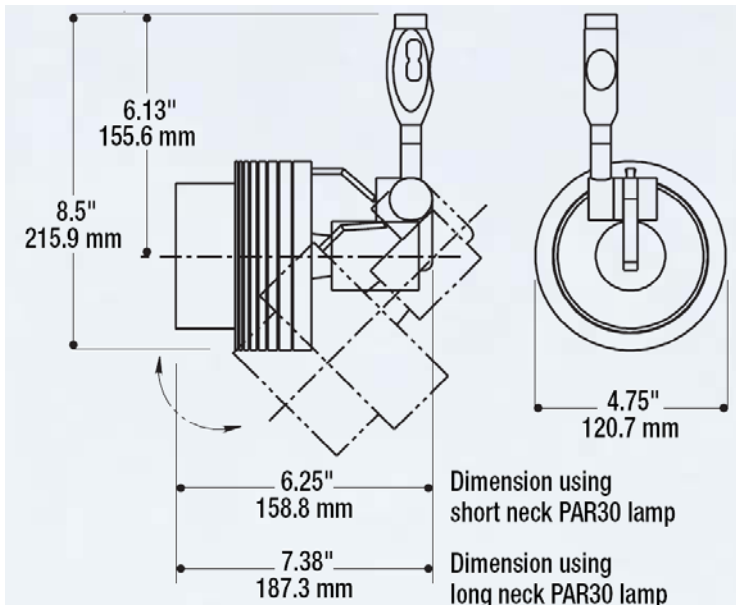


**Specifications:**

PAR30 Halogen SPOT with metal baffle for 120 volt flexible track system.

**Features**

1. **Threaded Coupling Cap:** made of die cast aluminum; locks coupler onto track.
2. **Hinged Extrusion Coupler:** made of die cast aluminum; connects fixture to track.
3. **Swivel:** 358 Degree rotation for horizontal adjustment.
4. **Locking Screw:** 3mm set screw; used to lock vertically in place; up to 90 degrees of adjustment.
5. **Die Cast Socket Housing:** includes porcelain socket, medium base, high temperature wire.
6. **Post:** made from aluminum d-bar; used to lock lamp cowl in place; tightens down with 3mm set screw.
7. **Lamp Cowl:** made of die cast aluminum: 4-3/4" diameter.
8. **Metal Baffle:** made of die cast aluminum; 3-5/8" diameter; rests inside lamp cowl; contains internal cross-blade louver. Allows the use of one (1) media accessory.
9. **Compliances:** UL/C listed.



**Ordering Information**

Part Number	Lamp	Trim Style	Trim Finish
530.320	120V Halogen Medium Base, PAR30 75 watt	SPOT w/ metal cross-baffle	Satin Aluminum

Use with Flexsion Track System  
Lamps Not Included

Ardee Lighting reserves the right to change product specifications without prior notification.

Ardee Lighting		
5/23/2008	PO Box 1769 · 639 Washburn Switch Rd · Shelby · NC 28151 T 704.482.2811 F 800.275.1544 E ardee@jjishelby.com www.ardeelighting.com	022140