

Indigo

Suspended Ceiling w/ 24475 Decorative Trim

TYPE: _____



Specifications:

21" diameter recessed reflector with decorative glass plate and acrylic cylinder trim optic for suspended ceiling lighting.

Rough-in

- Designed to fit into 2 ft. X 2 ft. grid ceiling.
- Assembly pan for suspended ceilings with visible T-bars provide easy installation. Matte white powder-coat painted finish.
- Reflector: Heavy gauge spun aluminum reflector with rolled lip. Matte white powder coat painted finish.
- Consult factory for custom reflector finishes.

Trim Styles

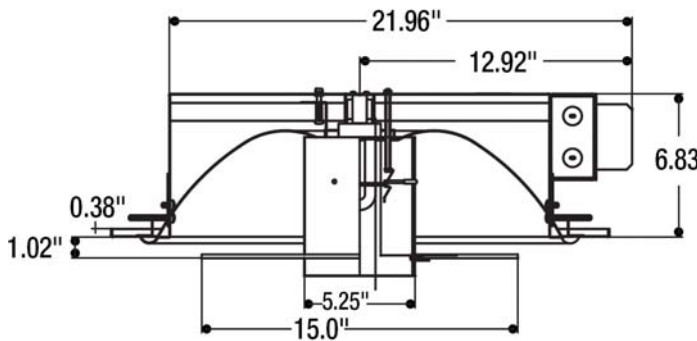
- 24475: 15" diameter sand-blasted glass plate with a 5.25" cylindrical acrylic diffuser.
- Consult factory for custom colors and custom trim styles.

Electrical

- Galvanized steel junction box with pry-out knock outs. Rated for through branch wiring, 4 in/4 out #12AWG wire 90 deg. Minimum. Accessible from below ceiling.
- Electronic, HPF, Class P rated, compact fluorescent ballast. Accessible from below ceiling. Wattage and voltage must be specified. See ordering information.
- Options include: dimming, emergency back-up. See ordering information.
- 26W/32W/42W, 4-Pin PL-T compact fluorescent lamp (supplied by others).

Compliance

- UL/C listed for damp locations.



To specify a complete catalog number, choose a combination of one rough-in and one trim from the selections available.

Rough-In Ordering Information

Ex. ALI-26-120

Part Number	Description
ALI-26-120	26 W Compact Fluorescent Triple Tube-120V
ALI-32-120	32 W Compact Fluorescent Triple Tube-120V
ALI-42-120	42 W Compact Fluorescent Triple Tube-120V
ALI-26-277	26 W Compact Fluorescent Triple Tube-277V
ALI-32-277	32 W Compact Fluorescent Triple Tube-277V
ALI-42-277	42 W Compact Fluorescent Triple Tube-277V

Rough In Options	Description
-EM	Emergency Battery Pack
-DIM	Electronic Dimming Ballast

Trim Ordering Information

Trim Number	Description
24475	(Decorative Reflector) Etched Glass Plate/ acrylic cylinder

Ardee Lighting reserves the right to change product specifications without prior notification.

Ardee Lighting		
7/18/2007	PO Box 1769 · 639 Washburn Switch Rd · Shelby · NC 28151 T 704.482.2811 F 800.275.1544 E ardee@jjishelby.com www.ardeelighting.com	222286