



### SPECIFICATIONS:

Low voltage adjustable recessed downlight with nominal 3 1/2" diameter trim and 1 1/4" diameter aperture.

#### Trim

- Precision machined, triple ring construction.
- Aluminum base material for painted finishes: White, Black, Metallic Silver.
- Brass base material for plated finishes: Polished Brass, Chrome, Matte Aluminum, Black Nickel.
- Rotating center ring pivots 30 degrees in either direction, capable of utilizing two (2) media accessories in conjunction with one MR11.
- Snap-in / Pull-out center ring assembly provides convenient servicing.

#### Electrical:

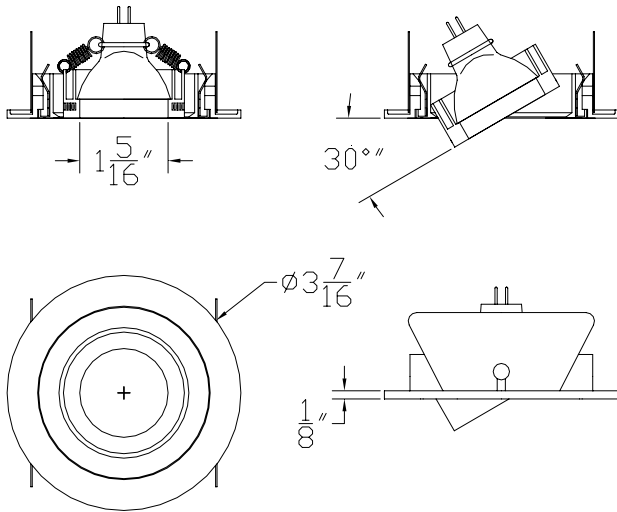
- Socket assembly (ceramic socket and wire lead) snaps directly to lamp pins. Socket assembly supplied with pre-wired rough-in housing. Rough-in ordered separately

#### Lamping:

- Enclosed MR11, 12volt or open MR11, 12 volt lamp with protective glass lens. 35 watt maximum for non-IC rated rough-in and 35 watt maximum for IC rated rough-in. Lamp provided by others.

#### Compliances:

- UL and cUL Listed when specified with appropriate A30 Series Rough-in housing. Suitable for use in damp locations.



### Ordering Information

Part Number	Color: Plated Finish
DL19WH	White
DL19BK	Black
DL19MS	Metallic Silver

Part Number	Color: Plated Finish
DL19PB	Polished Brass
DL19PC	Polished Chrome
DL19MA	Matte Aluminum
DL19BN	Black Nickel

Use with A30 Series rough-in

Ardee Lighting reserves the right to change product specifications without prior notification.

#### Ardee Lighting

PO Box 1769 · 639 Washburn Switch Rd · Shelby · NC 28151  
 T 704.482.2811 F 800.275.1544 E ardee@jjishelby.com  
 www.ardeelighting.com

3/5/2008

022127