

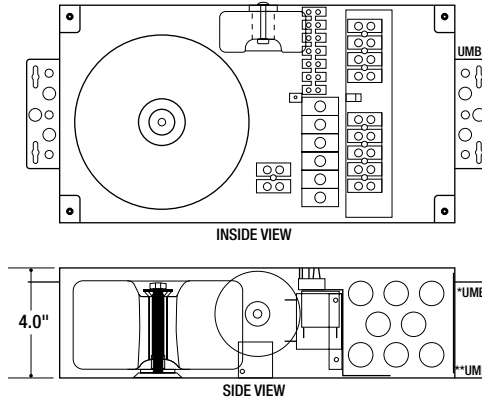
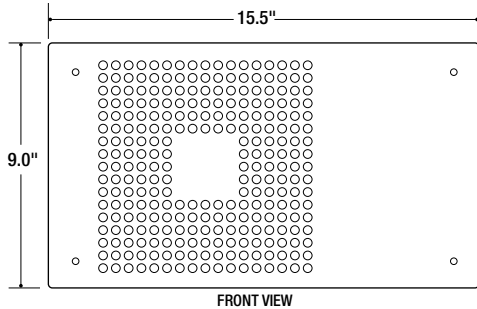


Job No: \_\_\_\_\_ Type: \_\_\_\_\_  
 Cat. No. \_\_\_\_\_  
 Notes: \_\_\_\_\_

TRANSFORMERS

T Series 150-750w

PREMIUM TOROIDAL POWER SUPPLY CENTERS FOR LOW VOLTAGE LIGHTING PERFORMANCE



**UL LISTED** Low voltage fixture power supply center: 150-750 WATTS

- Surface mounting – wall or ceiling
- Recessed mounting – wall only
- Inherently Protected
- Suitable for use in insulated spaces – zero clearance
- Suitable for use in closets with clothes in direct contact
- 60 Cycle A.C. only
- Isolation Transformer per NEC Article 411

FEATURES

**HOUSING** 18 Gauge welded steel measuring 14.5"L x 8.0"W x 4.0"D with 21 knockouts and a barrier plate. Brackets (UMB – Universal Mounting Bracket) included to secure housing to a 2x4 wall stud for recess wall mounting or to surface mount. Door measures 15.5"L x 9.0"W.

**MULTI-VOLT & TAPS** The Power Supply Center comes standard with five primary taps to provide secondary voltages of: 11V, 12V, 13V, 14V, and 15V or 22V, 24V, 26V, 28V, and 30V. Loads may be connected to one of the primary taps up to the full watt rating of the PSC. The advantage is that loads at varying distances from the PSC can be tapped to recover voltage drop and produce between 85-100% light output. See separate "Voltage Drop Calculator."

**PRIMARY CIRCUIT PROTECTION** All units come with both a primary magnetic circuit breaker and a primary auto-reset thermal protector, which is built into the transformer. This thermal protector will temporarily disconnect the primary if the transformer overheats due to an overload or saturation from a faulty dimmer.

**SECONDARY CIRCUIT PROTECTION** Protected by up to 6 magnetic circuit breakers. Breaker sized to feed load per N.E.C. Article 411 (not to exceed 25 amps per load). All wiring by the electrical contractor must be Class I compliant to N.E.C. Secondary breakers available in 5A, 10A, 15A, 20A, and 25A.

**TOROIDAL CHOKE** A Choke or "Debuzzing Coil" option reduces noise and in-rush current. A choke is especially helpful when dimming, to achieve quiet operation.

ORDERING INFORMATION

EXAMPLE: T750-120-24-2X05-1X15-2X20-1X25-CHL

size	primary voltage	secondary voltage	circuit breakers	optional choke
<b>T150</b> 150 watts	<b>120</b> 120 volt	<b>12</b> 12 volt	<b>QTY X05</b> 05 amps	<b>CHS</b> Small Choke (150-300 watts)
<b>T300</b> 300 watts	<b>277</b> 277 volt	<b>24</b> 24 volt	<b>QTY X10</b> 10 amps	<b>CHL</b> Large Choke (450-750 watts)
<b>T450</b> 450 watts			<b>QTY X15</b> 15 amps	
<b>T600</b> 600 watts			<b>QTY X20</b> 20 amps	
<b>T750</b> 750 watts			<b>QTY X25</b> 25 amps	

We reserve the right to change details of design, materials, and finish.



Job No: \_\_\_\_\_ Type: \_\_\_\_\_

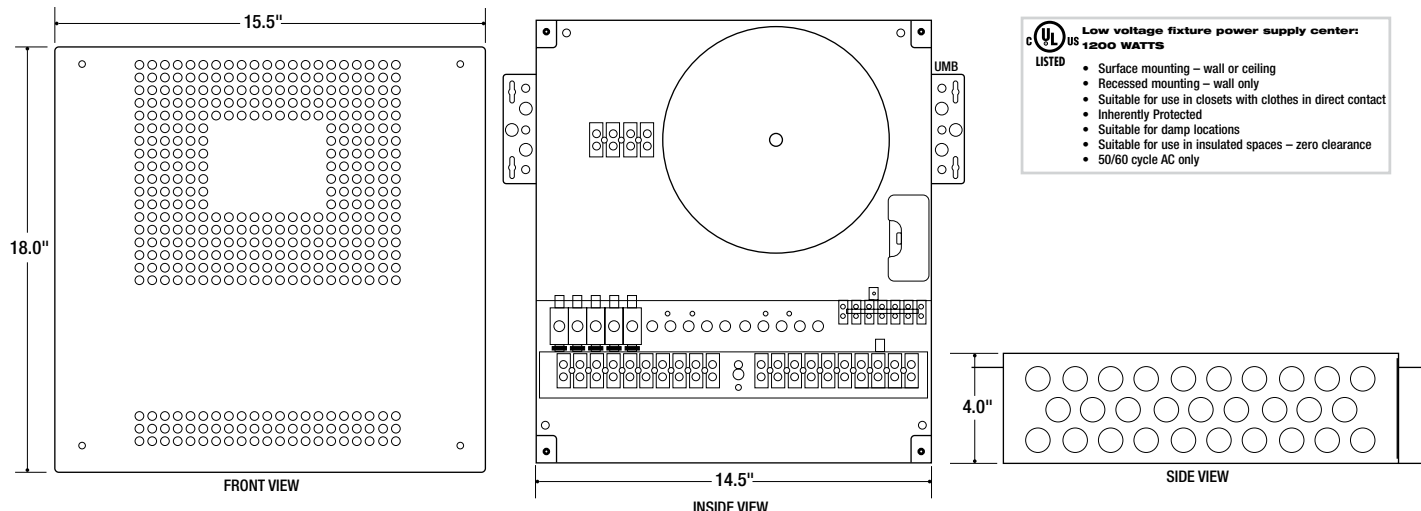
Cat. No. \_\_\_\_\_

Notes: \_\_\_\_\_

TRANSFORMERS

T Series 1200w

PREMIUM TOROIDAL POWER SUPPLY CENTERS FOR LOW VOLTAGE LIGHTING PERFORMANCE



FEATURES

**HOUSING** 18 Gauge welded steel measuring 17.0"L x 14.5"W x 4.0"D with 21 knockouts and a barrier plate. Brackets (UMB – Universal Mounting Bracket) included to secure housing to a 2x4 wall stud for recess wall mounting or to surface mount. Door measures 15.5"L x 18.0"W.

**MULTI-VOLT & TAPS** The Power Supply Center comes standard with five primary taps to provide secondary voltages of: 11V, 12V, 13V, 14V, and 15V or 22V, 24V, 26V, 28V, and 30V. Loads may be connected to one of the primary taps up to the full watt rating of the PSC. The advantage is that loads at varying distances from the PSC can be tapped to recover voltage drop and produce between 85-100% light output. See separate "Voltage Drop Calculator."

**PRIMARY CIRCUIT PROTECTION** All units come with both a primary magnetic circuit breaker and a primary auto-reset thermal protector, which is built into the transformer. This thermal protector will temporarily disconnect the primary if the transformer overheats due to an overload or saturation from a faulty dimmer.

**SECONDARY CIRCUIT PROTECTION** Protected by up to 15 magnetic circuit breakers. Breaker sized to feed load per N.E.C. Article 411 (not to exceed 25 amps per load). All wiring by the electrical contractor must be Class I compliant to N.E.C. Secondary breakers available in 5A, 10A, 15A, 20A, and 25A.

**TOROIDAL CHOKE** A Choke or "Debuzzing Coil" option reduces noise and in-rush current. A choke is especially helpful when dimming, to achieve quiet operation.

ORDERING INFORMATION

EXAMPLE: T1200-120-24-2X05-1X15-2X20-1X25-CHXL

size	primary voltage	secondary voltage	circuit breakers	optional choke
T1200 1200 watts	120 120 volt	12 12 volt	QTY X05 05 amps	CHXL X Large Choke (1200 watts)
	277 277 volt	24 24 volt	QTY X10 10 amps	
			QTY X15 15 amps	
			QTY X20 20 amps	
			QTY X25 25 amps	

We reserve the right to change details of design, materials, and finish.

