

Ardee
LIGHTING



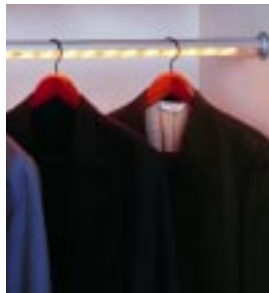
***Retail
Rod***

Retail rods

Hang garments or any other merchandise from these stylish illuminated rods. Retail rods come in multiple lengths and configurations to accent your designs.

Features

- Small diameter aluminum housing supplied in standard or custom lengths.
- Choice of full spectrum T5 or T2 fluorescent lamped models available.
- Choice of painted or anodized finishes.
- Requires remote mounted ballasts.
- Standard lengths up to 5 feet. Consult factory for customized lengths up to 12'.
- Clear prismatic lens reduces glare and spreads light evenly.
- Choice of surface or wall mount models. Consult factory for custom mounting and model options.
- UL/c Listed damp locations.
- UL/c Listed remote mounted ballast modules.
- Ardee design team available to work with you on customizing the system to meet your specific design needs.



Klikstrip™ version

Retail Rod is also available with color enhancing xenon lamps. Consult factory for specification information.

Ordering information

To specify a complete catalog number, choose one item from the selection available in each module.

XXX.	X	X	X	-XX
------	---	---	---	-----

Series

150.	Fixture with lamps – includes either T2 or T5 lamp as specified 3000°K
------	--

151.	Fixture without lamps
------	-----------------------

Mount

15X.	1	Wall
------	---	------

15X.	2	Surface
------	---	---------

Lamp type

15X.	X	2	T2
------	---	---	----

15X.	X	5	T5
------	---	---	----

Standard length

15X.	X	X	1	12"
------	---	---	---	-----

15X.	X	X	2	24"
------	---	---	---	-----

15X.	X	X	3	36"
------	---	---	---	-----

15X.	X	X	4	48"
------	---	---	---	-----

15X.	X	X	5	60"
------	---	---	---	-----

Lamp configuration

1 - 6W T2 lamp only

1 - 13W T2 or 1 - 14W T5 lamp

2 - 11W T2 or 1 - 21W T5 lamp

2 - 13W T2 or 1 - 28W T5 lamp

1 - 35W T5 lamp only

Consult factory for other lamp options and custom lengths up to 12'.

Standard finish

15X.	X	X	X	-SA	Satin aluminum anodize
------	---	---	---	-----	------------------------

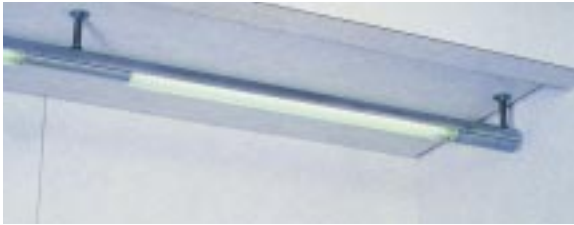
15X.	X	X	X	-SG	Satin gold anodize
------	---	---	---	-----	--------------------

15X.	X	X	X	-WH	White paint
------	---	---	---	-----	-------------

15X.	X	X	X	-BK	Black paint
------	---	---	---	-----	-------------

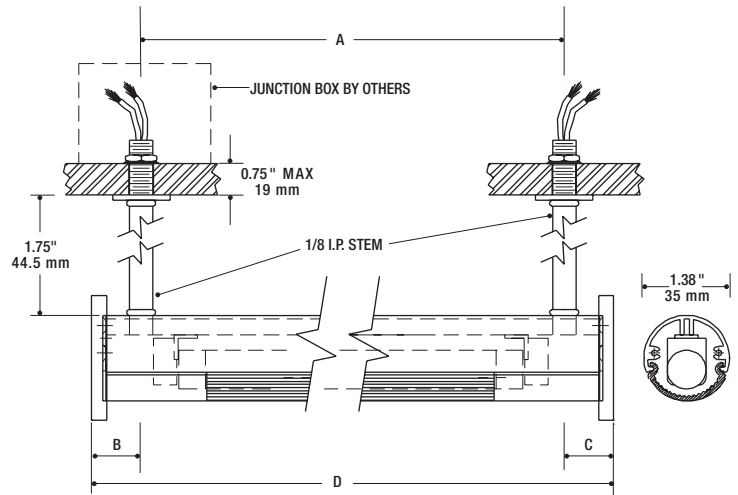
Retail Rod lighting fixture system

Surface Mount



Features

- Housing channel: 1 3/8" O.D. extruded aluminum. Painted or anodized finish. Specify finish and length.
- Linear lens: Snap-in clear prismatic extruded acrylic.
- End cap: decorative oversized machined aluminum painted or anodized to match housing.
- Stems: 1/8" I.P. x 3" O.A.L. standard. Consult factory for custom lengths and spacings.
- Compliances: UL/c Listed. Requires remote ballast. See ballast modules for available options.



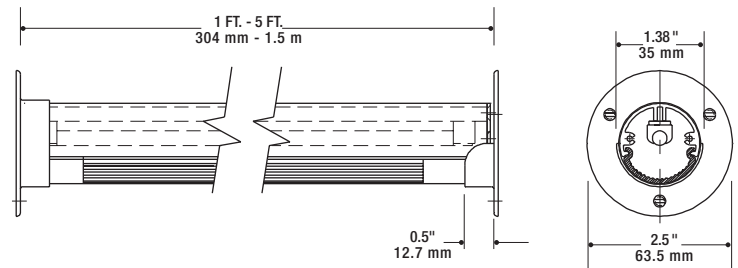
Fixture length	Critical Dimension A	Critical Dimension B & C	Critical Dimension D
1'	8"	2"	12"
2'	16"	4"	24"
3'	32"	2"	36"
4'	32"	8"	48"
5'	Requires 3 stems - 28" O.C. with 2 fixture overhang on each end		

Wall Mount

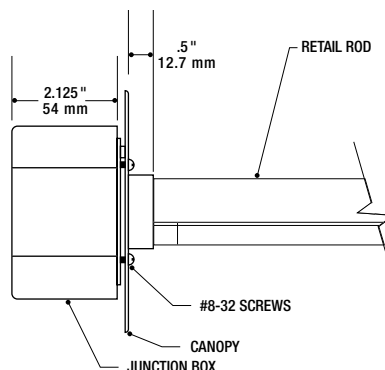


Features

- Housing channel: 1 3/8" O.D. extruded aluminum. Painted or anodized finish. Specify finish and length.
- Linear lens: Snap-in clear prismatic extruded acrylic.
- End cap: stamped aluminum with 1/8" I.P. knockout for wire access.
- Wall mounting brackets: pair of stamped steel wall mounting brackets with fasteners. Painted finish.
- Compliances: UL/c Listed when used with wall mount junction box and cover plate. Requires remote ballast. See ballast modules for available options.



Wall mount junction box cover plate



Ordering information

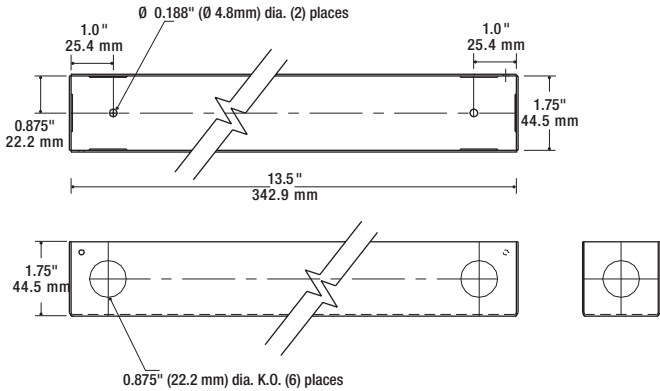
150.100-WH	White
150.100-BK	Black

For wall mount lengths longer than 3', an additional mounting support is required. Housing channel allows use of commonly available clothing rod attachments for additional mounting support.

Ballast modules

Features

- One or two lamp T2 or T5 electronic, HPF, instant start, sound rated A, class P ballasts. UL/c Listed.
- Stamped steel ballast housing painted black. UL/c Listed for thru branch wiring, 2-in 2-out. Maximum mounting distance from fixture: 20'.



Ordering information

Standard T2 ballast modules

152.106	1 lamp 6 watt
152.113	1 lamp 13 watt
152.211	2 lamp 11 watt
152.213	2 lamp 13 watt

Standard T5 ballast modules

155.114	1 lamp 14 watt
155.121	1 lamp 21 watt
155.128	1 lamp 28 watt
155.135	1 lamp 35 watt

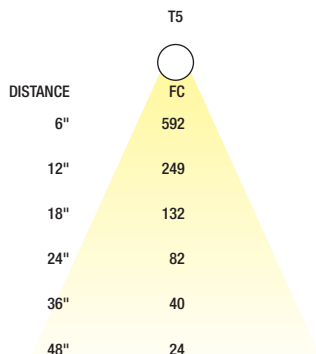
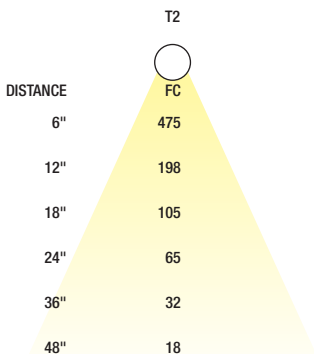
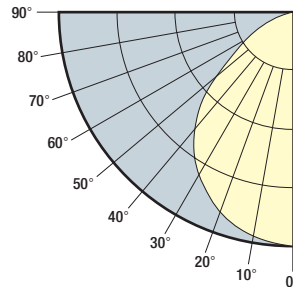
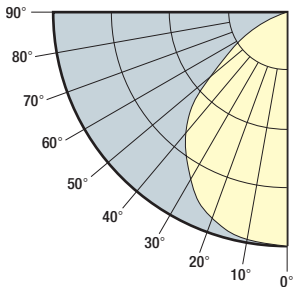
Photometrics

Retail Rod with T2 lamp

test report number 11614.0
 catalog number 150.223
 lamp configuration 2-11 watt T2
 total rated lumens 1360
 total luminaire efficiency 70.9%

Retail Rod with T5 lamp

test report number 11613.0
 catalog number 150.253
 lamp configuration 1-21 watt T5
 total rated lumens 2100
 total luminaire efficiency 73.7%



For other intelligently engineered and designed lighting fixtures, contact:



P.O. Box 1769
 639 Washburn Switch Road
 Shelby, NC 28151
 Telephone: 704/482-2811
 Fax: 800/275-1544

e-mail: ardee@jjishelby.com
 web site: www.ardeelighting.com