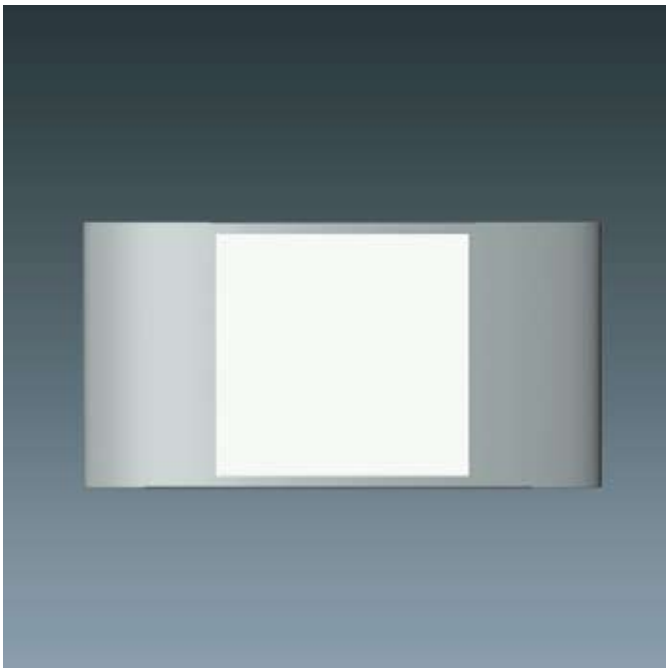
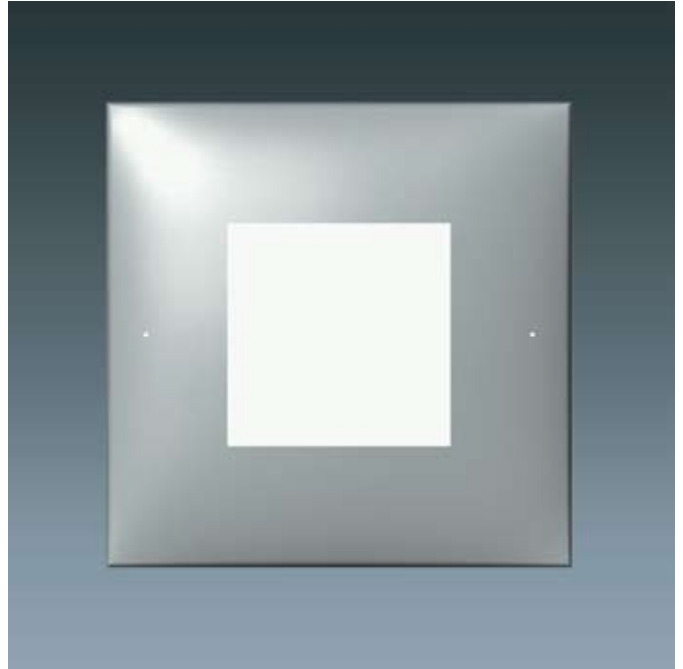




LED LIGHT TILE



LED LiteTile

Surface-mounted wall tile luminaires

LED Light Tiles

Compact design, very low energy consumption, long useful life and low heat generation make LED luminaires the light source of the future.

Ardee Lighting's LED Light Tiles combine this ground breaking lamp technology with a sophisticated luminaire design.

Features

- Die-cast cover plates in five standard plated metallic and painted finishes. Consult factory for custom painting and plating options.
- LED circuit board with 26 white LED lamps and quick connect wiring plug. Color: 5000°K. Life: 60,000 hours. Consult factory for LED color options.
- LED Light Tiles are pre-assembled and include, in addition to the cover plate and board, special front and back diffusing disks with a high reflective white mylar plate that ensures uniform light emission.
- Tiles include a universal mounting bracket which mounts to a standard switch box.
- Light tiles with LED driver also include a factory-installed driver mounting strap to bracket.
- Light tiles with LED driver include a 6W electronic LED driver and a quick connector wiring plug for simple electrical connection to the circuit board. LED driver will operate two fixtures at a maximum distance of 12' (4 meters) apart.
- Optional remote mounted electronic LED drivers are available for diverse applications.
- Light tiles are UL/C listed dry location, IP20 rated, and meet ADA requirements.

Ordering information

To specify a complete catalog number, choose one item from the selection available in each module.

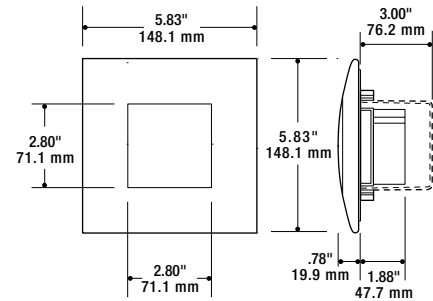
Example: 310.200-BK

ORDERING INFORMATION

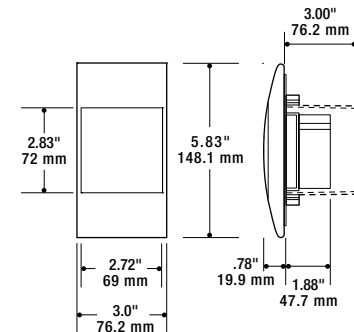
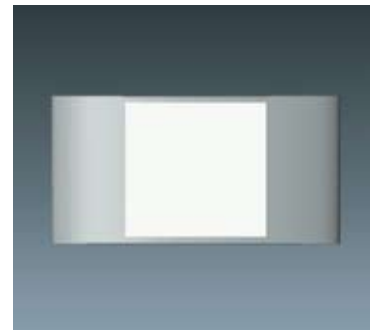
EXAMPLE: 310.0-0-1-BK-W

series	voltage	LED color options with driver	finish	color filter options
310.1 Square	0 120 volt	0 White LEDs with Integral Driver	BK Black	W Warm White
310.2 Rectangle	1 277 volt	1 White LEDs with Remote Driver 120v only	WH White MS Metallic Silver	R Red B Blue G Green C Custom Color, Graphics, or Signage (consult factory)

LED Tile Square Luminaire



LED Tile Rectangular Luminaire



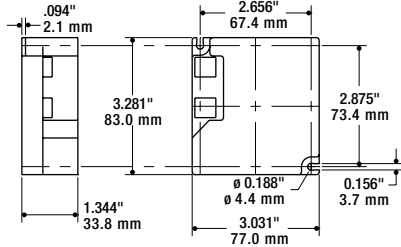
LED LiteTile

Surface-mounted wall tile luminaires

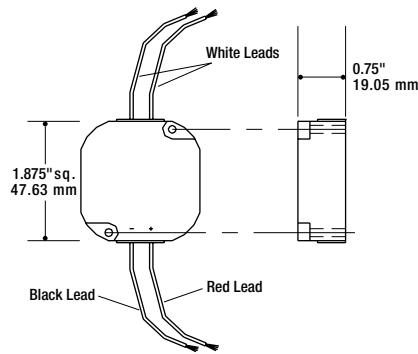
LED Remote Mounted Drivers

Ordering information

Catalog Number	Description
310.900	6 watt driver & 2 fixture connectors for LED Light Tiles; input voltage 100-250VAC; output voltage 24DC; operates 2 fixtures max; mounts into 2" x 4" junction box
310.950	25 watt driver & 8 fixture connectors for LED Light Tiles; 120 VAC input, 24 VAC output; operates 8 fixtures max; mounts into 4" x 4" junction box
310.955	40 watt driver & 13 fixture connectors for LED Light Tiles; 120 VAC input, 24 VAC output; operates 13 fixtures max; mounts into 4" x 4" junction box



310.950/310.955
Remote Mount LED Driver
25W/40W



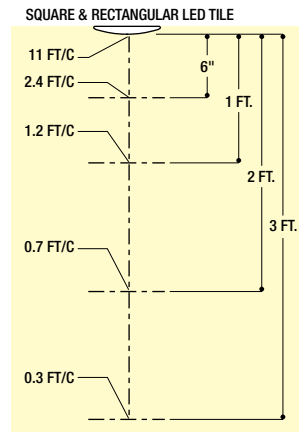
310.900
Remote Mount LED Driver
6W



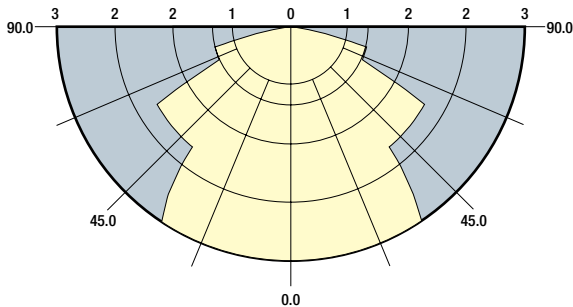
Custom graphic overlay option

Use as door markers, room identifiers, and directional information sign.

Quick calculator: footcandles



Candlepower distribution curve



Photometric report: 310.200


Number of lamps:	1	Luminous dimensions	
Lumens per lamp:	1000.00	Spacing Criteria (0):	4.8' 1.44 m
Input watts:	6.00	Spacing Criteria (90):	4.8' 1.44 m
Distribution:	direct	Spacing Criteria (4 luminaires):	4.5' 1.35 m
Symmetry:	None		

Ardee Lighting is a Philips group brand

**639 Washburn Switch Road
P.O. Box 1769
Shelby, NC 28151
Phone: (888) 442-7333
Fax: (800) 275-1544 / (704) 484-0818
www.ardeelighting.com**

© 2010 Philips Group.
All rights reserved. Certain
products illustrated in this
catalog may be protected by
applicable patents and patents
pending. Ardee Lighting will
aggressively defend all
of its intellectual property.
We reserve the right to
change details of design,
materials and finishes.

A.I.A. Division 16
LED Light Tile 3/10

 Some luminaires use fluorescent or high intensity
discharge (HID) lamps that contain small amounts
of mercury. Such lamps are labeled "Contains Mercury"
and/or with the symbol "Hg." Lamps that contain
mercury must be disposed of in accordance with
local requirements. Information regarding lamp
recycling and disposal can be found at
www.lamprecycle.org.

Printed in the U.S.A.