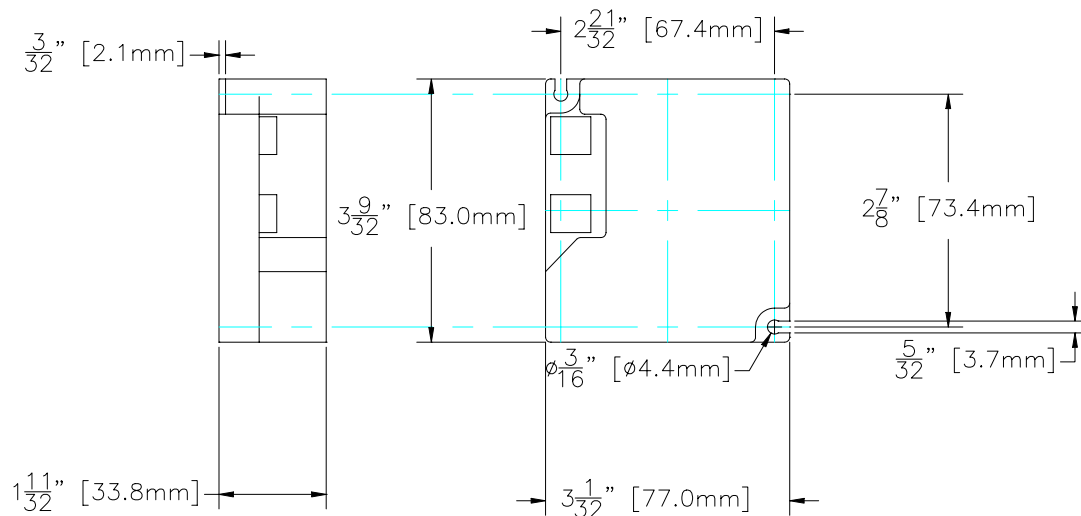


ARDEE LIGHTING INC.

TYPE: _____

CATALOG NUMBER: _____

LED TILE Remote Mount LED Driver 25W/40W



SPECIFICATIONS:

1. Led Driver can be fitted into standard 4" junction box. Led Driver lasts more than 50,000 hrs with a 5 year manufacturers warranty.
2. 24vdc constant voltage output.
3. UL/CSA/FCC listed product.
4. Features 2 slots for mounting with M4 or #6 screws.
5. 120vac input wire trap, 18 AWG. Leads must be solid core or tinned.
6. 24vdc output wire trap, 18-20 AWG. Leads must be solid core or tinned.
7. Housing material Noryl HS2000, UL 94-V0 flame retardant, black.
8. Suitable for Dimming Applications (Special 25W version only).
9. Total Maximum Length of Secondary wire (wire going out & wire coming back combined) (#20ga: 25w = 90ft, 40w = 56ft) (#18ga: 25w = 140ft, 40w = 90 ft.)

Catalog Number:

Description:

| | |
|-------------|--|
| 310.950 | 25W, 120VAC INPUT, 24VDC OUTPUT LED REMOTE DRIVER |
| 310.950-DIM | 25W, 120VAC INPUT, 24VDC OUTPUT DIMMABLE LED REMOTE DRIVER |
| 310.955 | 40W, 120VAC INPUT, 24VDC OUTPUT LED REMOTE DRIVER |

ARDEE LIGHTING INC.

A Subsidiary of JJI Lighting Group, Inc.
PO Box 1769, 639 Washburn Switch Rd.
Shelby, NC 28151
(704) 482-2811 • Fax (800) 275-1544

www.ardeelighting.com
e-mail: ardee@jjishelby.com

SPEC.NO. 022098
05/05/2006