



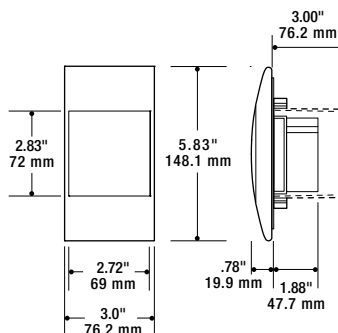
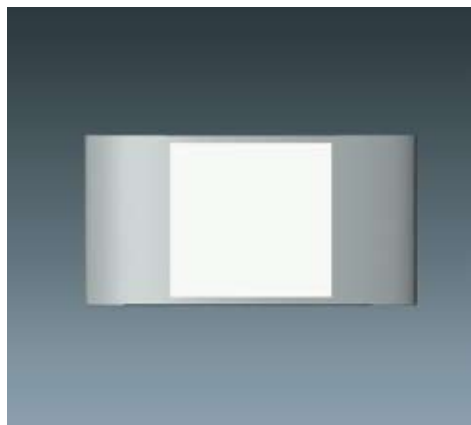
Job No: _____ Type: _____

Cat. No. _____

Notes: _____

LED

LED Light Tile Series



FEATURES

DESCRIPTION 6" x 3" rectangle LED surface mounted luminaire with die-cast aluminum faceplate, acrylic diffuser, remote or integral driver, and a choice of four standard colored filters.

COVER PLATE

- Preassembled die-cast aluminum with beveled edge, integral acrylic diffuser, and solid state LED circuit board.

LEDs

- Solid state circuit board with 26 cool white LEDs in edge lighting array to provide uniform illumination of diffuser.

FINISHES

- Die-cast cover plates in three painted finishes.
- Consult factory for custom painted finishes.

COLOR FILTER OPTIONS

- Gel overlay installed behind acrylic diffuser available in warm white, red, blue, and green translucent colors.
- Custom colors, graphics, and signage available, consult factory.

DRIVERS

- Light Tiles with LED driver include a 3w LED driver and a quick connector wiring plug for simple electrical connection to the circuit board.
- Optional remote mounted electronic LED drivers are available for diverse applications.

INSTALLATION

- Tiles include a universal mounting bracket which mounts to a deep switch box.

COMPLIANCES

- UL listed, IP20, dry locations only.

ORDERING INFORMATION

EXAMPLE: 105-024.0-0011-SA-2-CB

310.2

series	voltage	LED color options with driver	finish	color filter options
310.2 Rectangle	0 120 volt	0 White LEDs with Integral Driver	BK Black	W Warm White
	1 277 volt	1 White LEDs with Remote Driver 120v only	WH White MS Metallic Silver	R Red B Blue G Green C Custom Color, Graphics, or Signage (consult factory)

We reserve the right to change details of design, materials, and finish.